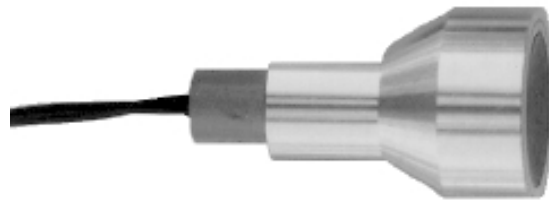


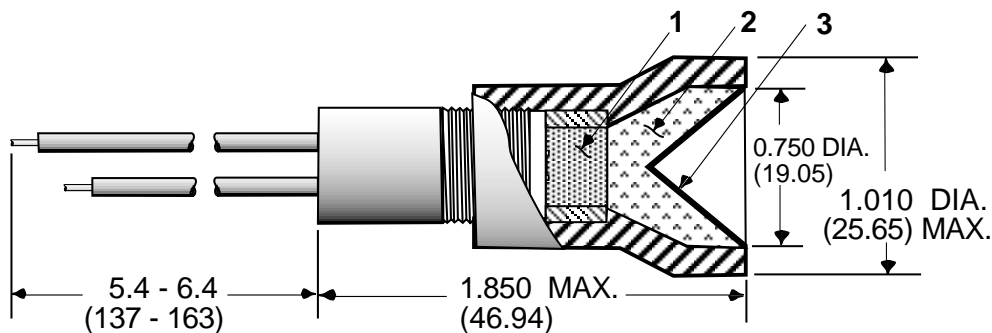
RP-4 SC EBW Shaped Charge

P/N 188-7377

The RP-4 SC is a 60 degree, copper liner, shaped charge initiated by an integral Exploding Bridgewire detonator. Threshold and firing energy requirements are the same as for the RP-1 EBW detonator (P/N 167-4314). Performance is greater than 1.5 inches perforation into a mild steel target at a 1.5 caliber standoff.



RP-4 SC Shaped Charge Explosive Train



- Item 1.** Initiating Explosive: 92 mg of PETN
- Item 2.** High Density Explosive: 3.44 g of plasticized RDX
- Item 3.** Copper, 60 degree by .020 inch thick

RP-4 SC Shaped Charge Firing Parameters

- Threshold Burst Current: 190 amps
- Threshold Voltage: Approx. 500 volts
- Threshold Voltage Std. Deviation: 10 volts maximum

Caution: While EBW and EFI Initiators are inherently less susceptible to accidental detonation during handling and set-up than devices containing primary explosives, electrical and electronic firing systems are sensitive to transient electrical energies which could cause premature triggering or firing. The blasting area must be clear of personnel and equipment before the detonator leads are connected to any RISI Firing System. Only approved RISI Firing Systems should ever be used to initiate or detonate any explosive product manufactured and authorized for sale by RISI.